

# RXi – Web Panel

## The Definitive Industrial Display Experience

To succeed in an outcome-driven world, businesses must operate faster and leaner, while being increasingly connected with both local and global data. At Emerson, we've reimagined automation architecture to help you thrive in today's demanding business environment. This architecture ensures that relevant information is readily available to operators, so they can make the best decisions in real time. Highlighting this reimagined architecture, Emerson has gone back to the drawing board to create the "Definitive Industrial Display Experience". The result is the RXi-Web Panel modular display portfolio designed with web hosted HMI applications in mind to maximize flexibility, performance, and durability.

### Modularity and Flexibility

The RXi – Web Panel portfolio ranges from 7" to 24" screens in a widescreen format with 7" to 15" available with both indoor and outdoor sunlight readable screens. The modular nature of the unit offers a substantial amount of flexibility in configuring your RXi – Web Panel. For instance, you can easily swap an indoor screen for an outdoor screen, change screen sizes, or simply replace a damaged screen, while utilizing the same computing unit.

### Enhanced Connectivity

The RXi – Web Panel was developed to provide users with cost effective easy access to web hosted HMI applications while maintaining the capabilities that come with an industrialized panel. Since the majority of the computing occurs on the server side, the RXi – Web Panel comes with a minimalist computing module housing a Dual Core 1.0 GHz iMX6 Freescale processor, 2GB of DDR3 RAM and 4GB of Flash memory. The standard Linux Yocto OS, QT Webkit, and Chromium and Firefox Web browsers enable the RXi – Web Panel to connect you to your web hosted HMI of choice. The RXi – Web Panel provides vivid graphical capabilities and quick response times to provide access to relevant information, enable smarter decision, and lower total cost of ownership.



### Display Technology: Designed to Maximize UX

The RXi – Web Panel takes industrial displays into today's connected world, by combining design, durability, and power in an ultra-slim package perfect for the factory floor. A sleek and powerful user experience connects people and machines with the latest in touchscreen technology and widescreen displays. The projected capacitive, high resolution, multitouch screens can be used while wearing personal protective equipment and are as sensitive as the latest smartphone. The outdoor rated Sunlight Readable screens provide brightness ratings nearly double that of the brightest smart devices. The optically bonded screens feature UV protection which vastly reduces reflections and glare, providing operators with vivid, clear images for a more complete and enhanced process visualization.

### Anytime, Anywhere: A Range of Applications

With the highest of environmental ratings, the RXi – Web Panel operates effectively in temperatures as high as 65°C and as low as -20°C. Indoors or outdoors, the RXi – Web Panel portfolio meets rigorous certifications with IP66 rated screens that protect against dust, moisture, and direct water jets. The RXi – Web Panel provides you with a solution that is designed to go where you need it to.

## Specifications

	Size (inch)	7"	10"	12"	15"	19"	24"
Display	Resolution	1024 x 600 WSVGA	1280 x 800 WXGA		1920 x 1080 Full HD		
	Format†	Widescreen (16:10)			Widescreen (16:9)		
	Orientation	Landscape					
	Reading Angle (°)	150 (H) / 145 (V)	170 (H) / 170 (V)	176 (H) / 176 (V)	170 (H) / 170 (V)	178 (H) / 178 (V)	
	Display Off-Color	Black					
	Contrast	800:1		1000:1	800:1	1000:1	5000:1
	Brightness (cd/m2)	500 (1000 with Outdoor SLR Screen)		400 (1000 with Outdoor SLR Screen)	450 (1000 with Outdoor SLR Screen)	350	300
	MTBF Backlighting	50 000 h (at 25°C)					
	Backlight	LED, Dimmable via Software					
Processor i.MX 6DualLite	Processor	Freescale i.MX 6DualLite					
	# of cores/TDP	2 core/2.5W					
	CPU frequency	1.0Ghz					
Memory	Capacity	2GB DDR3L					
Storage	Internal	4GB eMMC NAND Flash Memory					
Watchdog Timer	Setup	Setup by software					
Operating Control	Method	Touch					
Touchscreen	Technology	Projected Capacitive Touch (PCT/PCAP)					
	Touch Sensor	Multi-touch (Ten-Point)					
Interfaces	Port 1	1 x 10/100/1000 Base T Ethernet RJ45					
	Port 2	1 x RS-232/422/485 COM Port (DB-9 connector)					
	Port 3	1 x USB 2.0 (Type-A) 1 x USB OTG (micro USB)					
Status Indicators	Front Bezel Tri-color LED	Amber/Green/Red					
	On-board Buzzer	Yes (85dB sound level with 80mA mean current)					
Power-Supply	Voltage [V]	+24VDC ±20% (19.2 V to 28.8 V, 3-Pin Connector)					
Power Consumption	Maximum Wattage [W]	5 W	11 W	17 W	15 W	19 W	35 W
Protection-Class	Front-Side	IP66 (When Installed to a Wall/Panel)					
	Back-Side	IP20					
Operating System	OS	Linux kernel 4.1.15:Yocto					
	Framework	Qt 5.6.2					
Software Tools	Tool 1	Qt WebKit / Web Browser					
	Tool 2	HTML5 Capability					
Secure & Trusted Boot	Item 1	CAAM					
Design	Housing	Aluminum Die Casting (Front)					
	Construction Type	Modular (Detachable Modules; Computer, Monitor, Touch Display, DIO)					
	Cooling	Natural Convection (Fanless Passive Cooling)					

† For opportunities regarding traditional 4:3 aspect ratio screens, please contact your local Emerson representative.

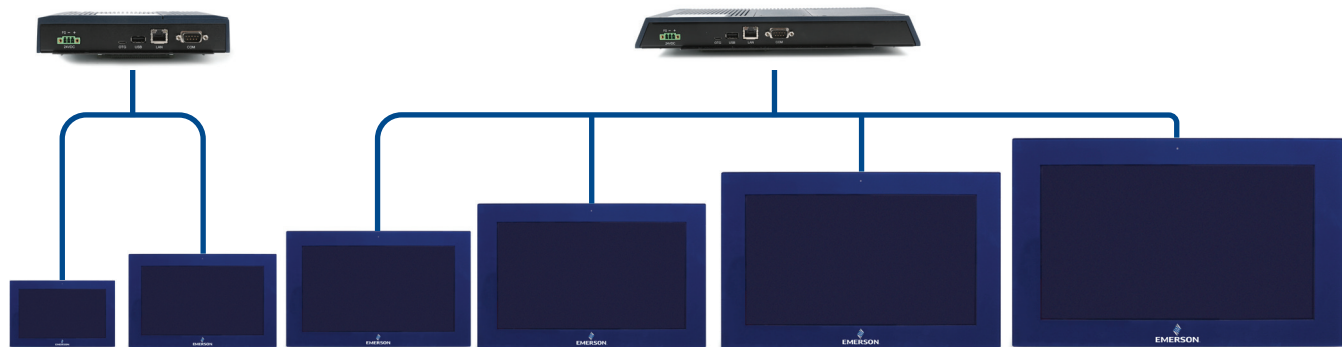
## Specifications (continued)

Size (inch)		7"	10"	12"	15"	19"	24"
<b>Environment</b>	<b>Operating Temperature</b>	-20°C to +65°C					
	<b>Storage Temperature</b>	-30°C to +70°C					
	<b>Operating Humidity</b>	85% RH (non-condensing) @ 30°C					
	<b>Operating Altitude</b>	10000 ft. (3.000 m)					
	<b>Vibration</b>	1Grms / 5 ~ 500Hz (Random) / Operation IEC 60068-2-64 10G peak acceleration (11 msec. duration)/operation IEC 60068-2-27					
<b>Compliance</b>	<b>Certifications</b>	UL and cUL 62368, UL and cUL 61010, IECCE CB Scheme					
		UL TYPE 4 & 4X, IP66 (ANSI/IEC 60529)					
		CE (EN 62368, EN 61000-6-4, 61000-6-2)					
		FCC Part15 Class A					
		RoHS					
		UL Listed US/CAN Hazardous Locations: Class 1 Division 2, Class 2 Division 2, Class 3 Division 1					
		ATEX Zone 2/22 & IECEx					
		Marine: ABS, BV, LR, DNV GL					
<b>Mounting</b>	<b>Panel Cutout Dimensions (W x H, mm)</b>	183.5 x 128.5	255.5 x 174	317 x 214.5	398 x 245.5	482 x 297	581 x 360
	<b>VESA Mounting</b>	75 x 75		100 x 100			
	<b>Hardware Included</b>	Mounting Clamps and Allen Screws					
<b>Physical Specification</b>	<b>Net Weight (kg)</b>	2.0	2.6	3.8	5.1	6.9	9.0
	<b>Dimensions (W x H x D, mm)</b>	192 x 137 x 65	267 x 186.2 x 65	329.1 x 226.8 x 66	410.2 x 257.6 x 65	500 x 315 x 70	600 x 382 x 71

## Display Architecture Options

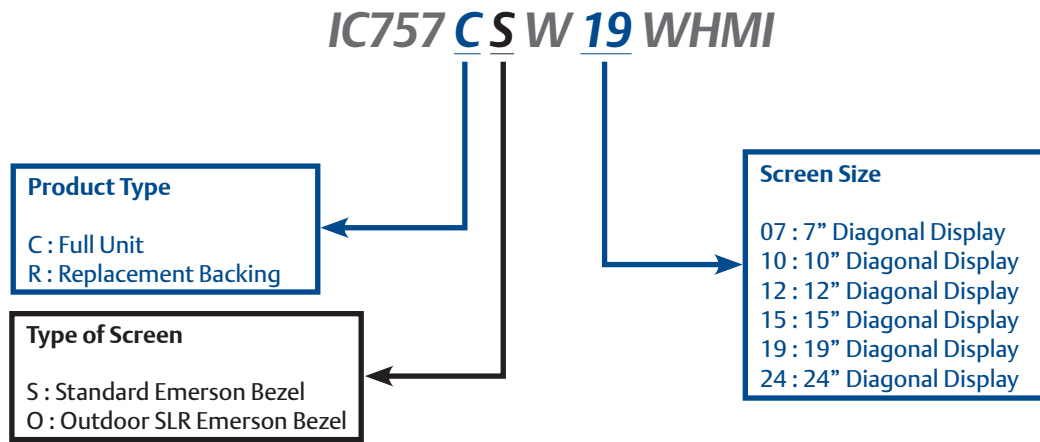
RXi – Web Panel small backing module and compatible screens

RXi – Web Panel large backing module and compatible screens



7"	10"	12"	15"	19"	24"
16:10 Widescreen 1024x600	16:10 Widescreen 1280x800	16:10 Widescreen 1280x800	16:9 Widescreen 1920x1080	16:9 Widescreen 1920x1080	16:9 Widescreen 1920x1080

## Understanding the Part Numbers



**Example:** IC757C S W19 WHMI  
19" RXi – Web Panel, Standard Bezel

## Ordering Information

### Complete Units

Part Number	Description
IC757COW07WHMI	7" RXi - Web Panel - Emerson Bezel, Outdoor SLR Widescreen
IC757COW10WHMI	10" RXi - Web Panel - Emerson Bezel, Outdoor SLR Widescreen
IC757COW12WHMI	12" RXi - Web Panel - Emerson Bezel, Outdoor SLR Widescreen
IC757COW15WHMI	15" RXi - Web Panel - Emerson Bezel, Outdoor SLR Widescreen
IC757CSW07WHMI	7" RXi - Web Panel - Emerson Bezel, Widescreen
IC757CSW10WHMI	10" RXi - Web Panel - Emerson Bezel, Widescreen
IC757CSW12WHMI	12" RXi - Web Panel - Emerson Bezel, Widescreen
IC757CSW15WHMI	15" RXi - Web Panel - Emerson Bezel, Widescreen
IC757CSW19WHMI	19" RXi - Web Panel - Emerson Bezel, Widescreen
IC757CSW24WHMI	24" RXi - Web Panel - Emerson Bezel, Widescreen

### Replacement Backing

Part Number	Description
IC757ROW07WHMI	Replacement Back for 7" RXi - Web Panel - Emerson Bezel, Outdoor SLR Widescreen
IC757ROW10WHMI	Replacement Back for 10" RXi - Web Panel - Emerson Bezel, Outdoor SLR Widescreen
IC757ROW12WHMI	Replacement Back for 12" RXi - Web Panel - Emerson Bezel, Outdoor SLR Widescreen
IC757ROW15WHMI	Replacement Back for 15" RXi - Web Panel - Emerson Bezel, Outdoor SLR Widescreen
IC757RSW07WHMI	Replacement Back for 7" RXi - Web Panel - Emerson Bezel, Widescreen
IC757RSW10WHMI	Replacement Back for 10" RXi - Web Panel - Emerson Bezel, Widescreen
IC757RSW12WHMI	Replacement Back for 12" RXi - Web Panel - Emerson Bezel, Widescreen
IC757RSW15WHMI	Replacement Back for 15" RXi - Web Panel - Emerson Bezel, Widescreen
IC757RSW19WHMI	Replacement Back for 19" RXi - Web Panel - Emerson Bezel, Widescreen
IC757RSW24WHMI	Replacement Back for 24" RXi - Web Panel - Emerson Bezel, Widescreen

**United State Office**

Emerson Automation Solutions  
Intelligent Platforms, LLC  
2500 Austin Dr  
Charlottesville, VA

**Singapore Office**

Emerson Automation Solutions Intelligent  
Platforms Asia Pacific Pte. Ltd.  
1 Pandan Cres,  
Singapore, 128461

**Brazil Office**

Emerson Automation Solutions  
Av. Hollingsworth, 325 – Iporanga  
Sorocaba – SP, 18087-105

**China Office**

Emerson Automation Solutions Intelligent  
Platforms (Shanghai) Co., Ltd  
No.1277, Xin Jin Qiao Rd, Pudong,  
Shanghai, China, 201206

**Germany Office**

Emerson Automation Solutions  
ICC Intelligent Platforms GmbH  
Memminger Straße 14  
Augsburg, Germany 86159

**India Offices**

Emerson Automation Solutions  
Intelligent Platforms Pvt. Ltd.,  
Building No.8, Ground Floor  
Velankani Tech Park, No.43  
Electronics City Phase I, Hosur Rd  
Bangalore-560100

**Americas Support – Technical and Commercial**

Phone: 1-888-565-4155 or 1-434-214-8532 (if toll free 800 option is unavailable)

Email for Technical Support: support.mas@emerson.com

Email for Commercial Support: customercare.mas@emerson.com

Primary language of support: English

**Europe, Middle East, & Africa Support – Technical and Commercial**

Phone: +800-4-444-8001

or +420-225-379-328 (if toll free 800 option is unavailable or dialing from a mobile telephone)

Email for Technical Support: support.mas.emea@emerson.com

Email for Commercial Support: customercare.emea.mas@emerson.com

Primary languages of support: English, German, Italian, Spanish

**Asia Support – Technical and Commercial**

Phone: +86-400-842-8599 for Greater China

+65-6955-9413 (All Other Countries)

Email for Technical Support: support.mas.apac@emerson.com

Email for Commercial Support Asia: customercare.cn.mas@emerson.com

Primary languages of support: Chinese, English

**Support Website:** [www.emerson.com/iac-support](http://www.emerson.com/iac-support)

**Home Website:** [www.Emerson.com/industrial-automation-controls](http://www.Emerson.com/industrial-automation-controls)

©2021 Emerson. All rights reserved.

The Emerson logo is a trademark and service mark of Emerson Electric Co. All other marks are property of their respective owners. The contents of this publication are presented for information purposes only, and while effort has been made to ensure their accuracy, they are not to be construed as warranties or guarantees, express or implied, regarding the products or services describe herein or their use or applicability. All sales are governed by our terms and conditions, which are available on request, We reserve the right to modify or improve the designs or specifications of our products an any time without notice.

